

Calisto 3200/5200

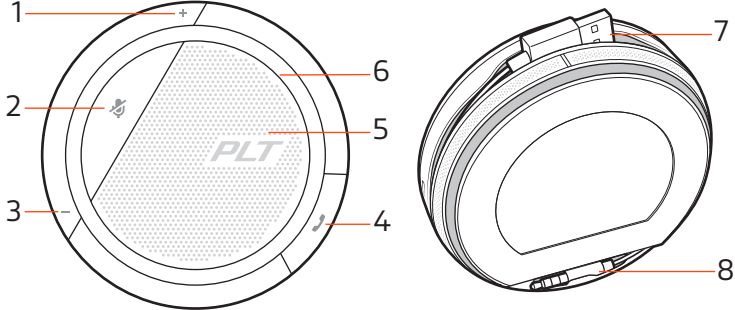
Corded Speakerphone

User Guide

Contents

Overview	3
Connect speakerphone	4
Daily Use	5
Power	5
Answer or End a call	5
Mute/Unmute	5
Volume	5
Music	5
Support	6

Overview

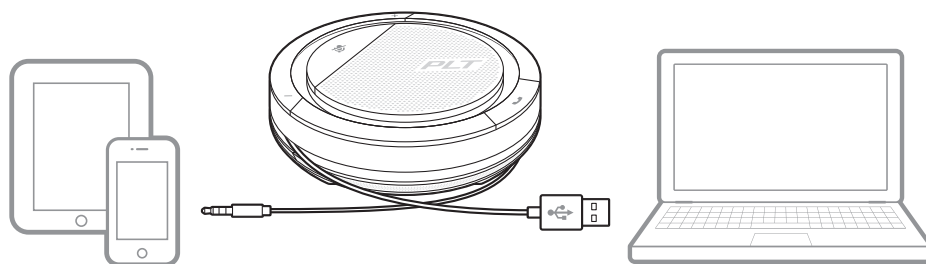


- 1 Volume up
- 2 Mute
- 3 Volume down
- 4 Call button

- 5 Speaker
- 6 Indicator light
- 7 USB cord
- 8 3.5mm cord (Calisto 5200 model only)

Connect speakerphone

Connect the speakerphone to your computer using the USB cable. Connect the speakerphone to your tablet or mobile phone using the 3.5 mm cable (Calisto 5200 model only). Use the speakerphone to play music or call audio.



Daily Use

Power

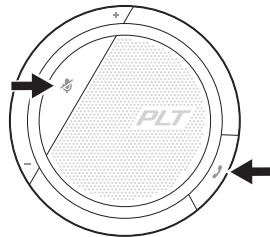
Plug the USB cable into your computer. The indicator light on the speakerphone will illuminate white and remain on while connected to the power supply.

Plug the 3.5 mm cable into your tablet or mobile device.

NOTE *The table refers to the Calisto 5200 model only, there is no battery in the Calisto 3200.*

Status	Talk time	Indicator
Battery high	Greater than 12 hours	"Battery high"
Battery medium	Less than 12 hours, greater than 2 hours	"Battery medium"
Battery low	Less than 2 hours, greater than 30 minutes	"Battery low" played at less than 2 hours talk time
Battery critical	Equal to or less than 30 minutes	30 minutes, "Battery low" repeated every 15 minutes 10 minutes, "Battery low" repeated every 5 minutes 0 minutes "Power off" played once

Important: If the speakerphone does not automatically power on when plugged in, press and hold the call and mute buttons for 4 seconds to manually power on the speakerphone. Repeating this process will power off the device.



Answer or End a call

A short press of the Call button answers or ends a call.

Mute/Unmute

A short press of the Mute button mutes or unmutes the microphones.

Volume

Press the up (+) or down (-) volume buttons for the desired volume.

Music

For a better listening experience with the 3.5mm connector (Calisto 5200 model only), put the speakerphone in music mode by pressing and holding the mute button for 4 seconds. Turn off music mode before taking or receiving calls by pressing and holding the mute button for 4 seconds.

Support

NEED MORE HELP?

plantronics.com/support

plantronics®

Simply Smarter Communications™

Plantronics, Inc.

345 Encinal Street
Santa Cruz, CA 95060
United States

Plantronics BV

Scorpius 171
2132 LR Hoofddorp
Netherlands

© 2018 Plantronics, Inc. Bluetooth is a registered trademark of Bluetooth SIG, Inc. and any use by Plantronics, Inc. is under license. All trademarks are the property of their respective owners.

212877-06 (09.18)